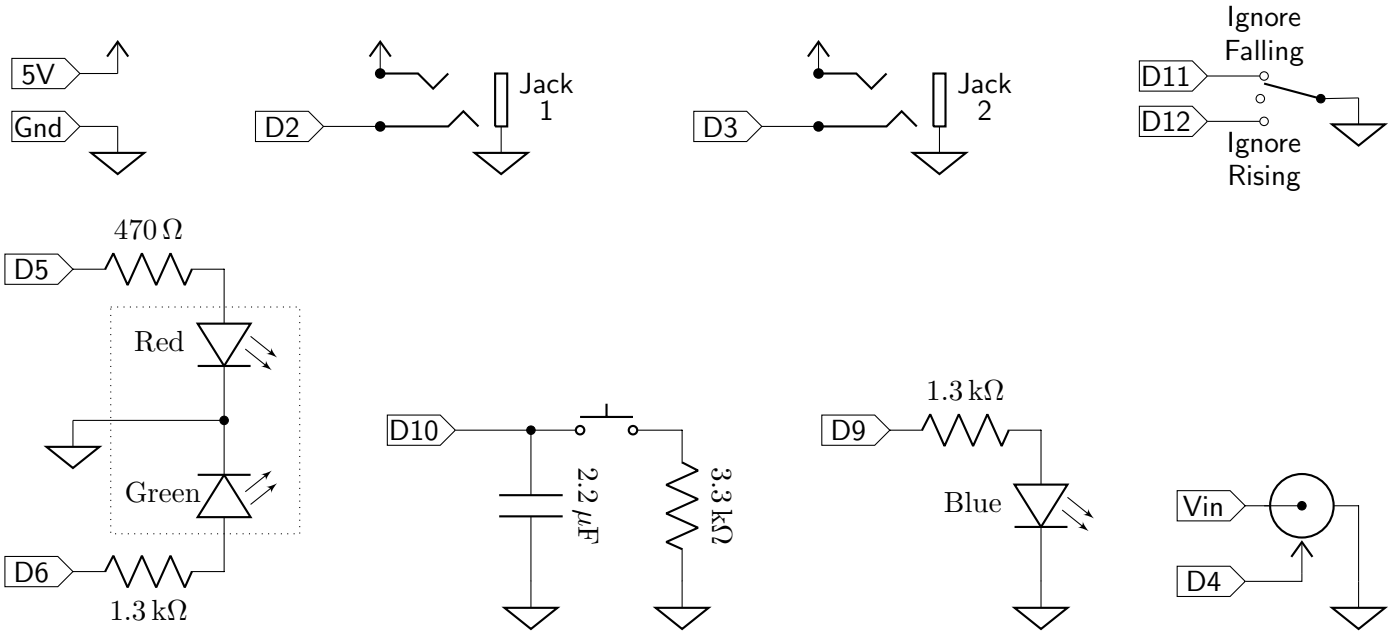


## LabSplits2 schematic diagrams



The schematics above are the external circuitry that is added to the Arduino Micro board. “D” signifies a numbered digital I/O pin or header socket. (In the picture below, these are the numbered pins along the top edge.) Component values are not critical. The transition switch (wired to pins D11 and D12) must have a center-off position. Diffuse LEDs are recommended. The red and green LEDs are in a single package with a common cathode. Some adjustment of the values of the current-limiting resistor for the LEDs might be necessary to achieve brightness balance.

